

SWIFT
FILTERS, Inc™

Low Pressure Filter Assemblies



- Up to 435 PSI (30 bar)
- Flow rates up to 634 GPM (2400 l/m)
- Unique adapter flange available



FJV-183 Series

Low Pressure Filter Assemblies



Housing Features

- Flows to 634 gpm (2400 lpm)
Depending on pipe size, consult factory
- Port size: 4" side in – side out; Adapter plates available for other port sizes

Notes and Specifications

Maximum working pressure:

435 psi (30 bar)

Proof pressure: 653 psi (45 bar)

Burst pressure: 1740 psi (120 bar)

Pulsed pressure fatigue test:

1,000,000 cycles with pressure from 0 to 435 psi (30 bar)

Temperature rating:

From 13°F (-25°C) to 230°F (110°C)

Materials of Construction:

Head and body: Anodized black aluminum
Seal material: NBR (standard) FPM (optional)

Weights:

FJV-183-S (standard length): 55 lbs (25.1 kg)

FJV-183-E (extended length): 74 lbs (33.5 kg)

Volumes:

FJV-183-S: 4 gal (15 dm³)

FJV-183-E: 7.4 gal (28 dm³)

Bypass valve:

Opening pressure 50 psi (3.5 bar) \pm 10%
Other opening pressures available.

Consult factory.

Filter element collapse pressure:

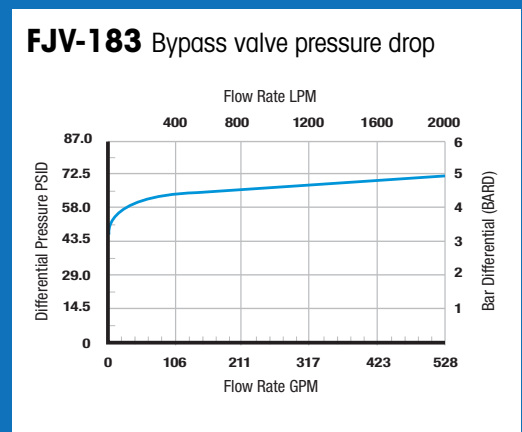
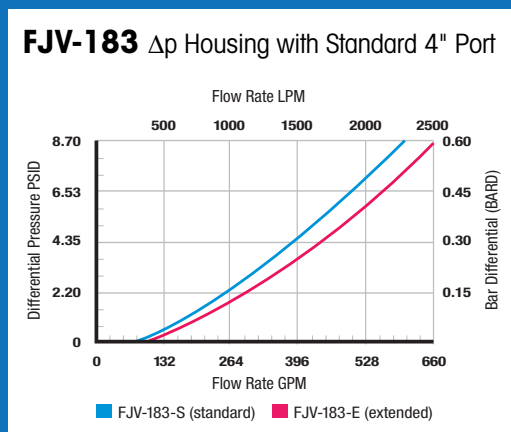
290 psi (20 bar)

Flow direction: Out to in

Compatibility (to ISO 2943)

- Housings compatible with: Mineral oils, synthetic fluid, aqueous emulsions, water and glycol
- The filter elements are compatible with: Mineral oils, synthetic fluid, aqueous emulsions, water and glycol
- NBR seals series A, compatible with: Mineral oils, synthetic fluid, aqueous emulsions, water and glycol
- FPM seals series V, compatible with: Synthetic fluids type HS-HFDR-HFDS-HFDU

Pressure Drop Versus Flow (ISO 3968)



Notes: Test fluid: mineral oil (S.G. of .86)



Available with Full Range of Filter Elements

Coreless

- Micro-fiberglass (SWIFTGLASS™)

Cored

- Micro-fiberglass (SWIFTGLASS™)
- Wire mesh (SWIFTMESH™)
- Wire cloth (SWIFTMESH™)



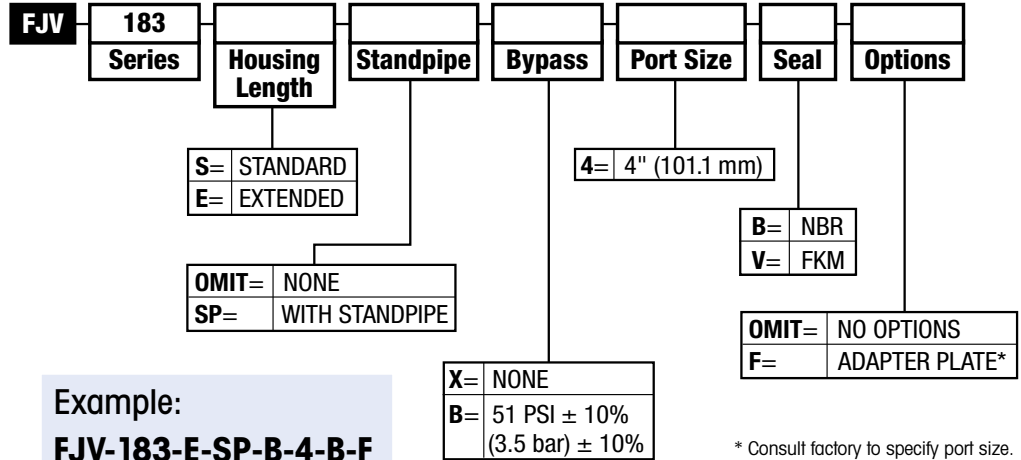
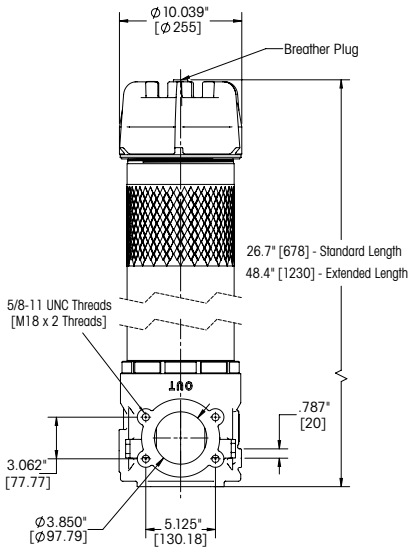
Coreless housings and stand pipe assembly

Unique Adapter Flange Available —
Reduces standard 4" opening. Custom flanges
available upon request, consult factory.



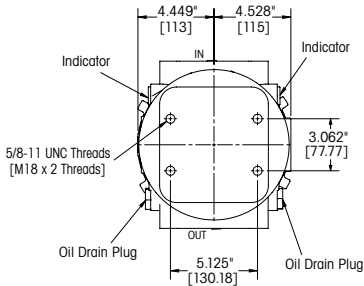
1" NPT adapter shown

Ordering Information for Standard Low Pressure Filter Assemblies

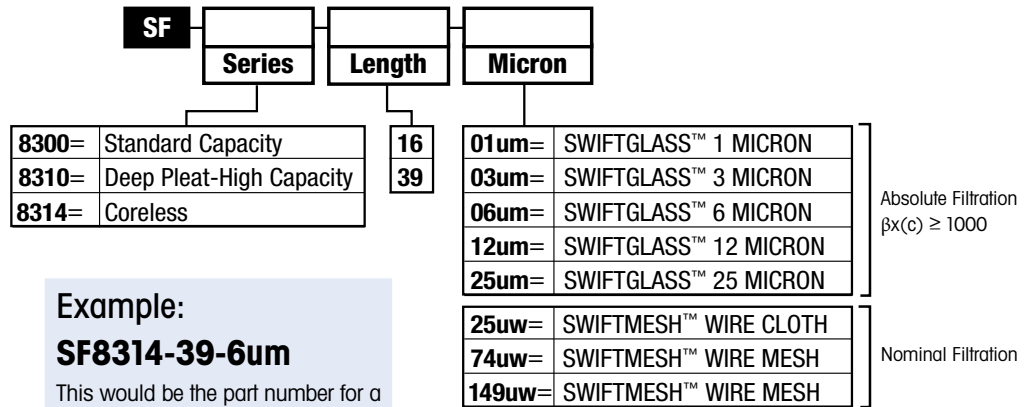


Example:
FJV-183-E-SP-B-4-B-F

This would be the part number for an extended length Series 183 Filter Assembly, with standpipe for coreless elements, a bypass indicator, 4" port, Nitrile seals with adapter plate.

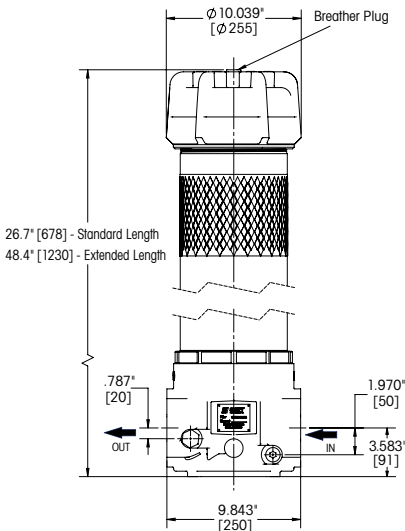


Ordering Information for Low Pressure Elements



Example:
SF8314-39-6um

This would be the part number for a SWIFTGLASS™ 6 micron coreless element, 39 inches long.



www.swifffilters.com

Toll Free 1.877.88SWIFT
(1.877.887.9438)

24040 Forbes Road
Oakwood Village, OH 44146

Tel 440.735.0995

Fax 440.735.0996

Email info@swifffilters.com



ISO 9001:2008
Registered Quality System



Made in USA