



## FJV-3 Series High Pressure T-Type Filter Assemblies

### Features

- High collapse 4500 psid (310 bard) filter element using SWIFFELT™ 316 stainless steel medium
- Flows to 15 gpm (56 lpm)
- Port sizes: 1/4" NPT, 1/2" NPT  
(Other line sizes available, consult factory)

### Notes and Specifications

**Maximum working pressure:**

10,000 psi (689 bar)

**Proof pressure:**

12,000 psi (827 bar)

**Burst pressure:**

Consult factory

**Temperature rating:**

-100°F (-73°C) to 500°F (260°C)

**Materials of Construction:**

Head and Body: 304 Stainless Steel standard (316, 17-4PH, Hastelloy® and others available)

Seal material: Fluorocarbon (Viton®) (Teflon® and Kalrez® and other compounds also available)

Filter element

collapse pressure: 4500 psid (310 bard)

Element construction: SWIFTMESH™ all 316 stainless steel (no resin binders) medium, 304 stainless steel end caps



### Pressure Drop Information

**Housing Pressure Drop**

**Fluid at 15cSt(77.5 SUS), 0.8572 S.G.**

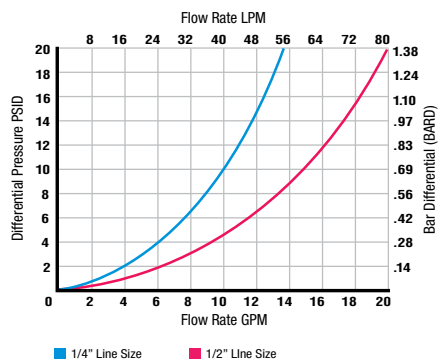
Housing pressure drop is directly proportional to specific gravity.

**Element Pressure Drop**

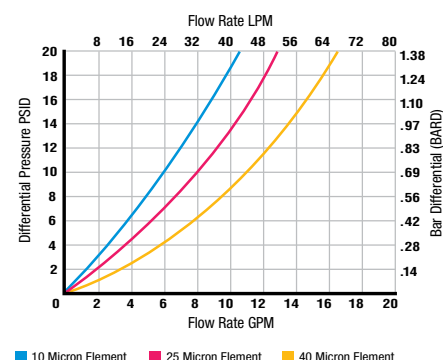
**Fluid at 15cSt(77.5 SUS), 0.8572 S.G.**

Correct for other fluids by multiplying new viscosity in cSt/5 (SUS/77.5) x new S.G./0.8572.

### FJV-3 Series Housing

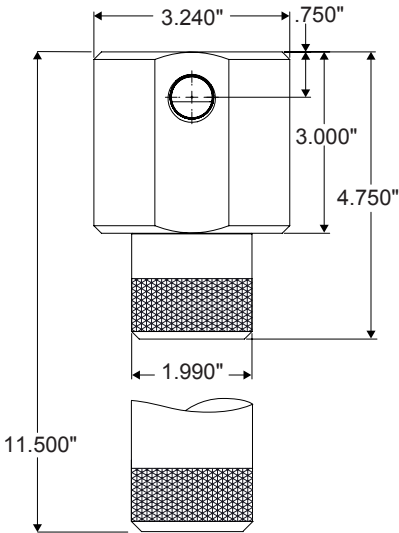


### FJE-3 Series Element

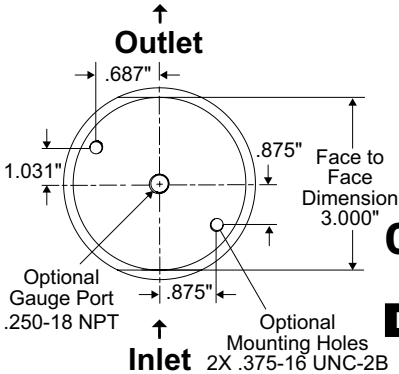


# Dimensional Drawings

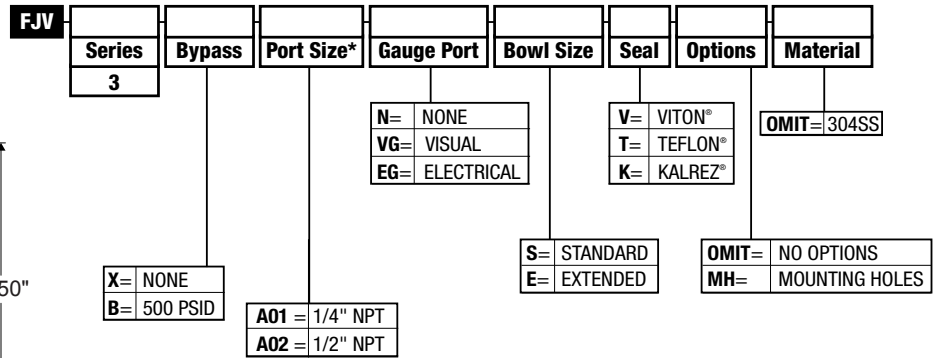
Front View



Top View



# Ordering Information for Standard High Pressure T-Type Filter Assemblies



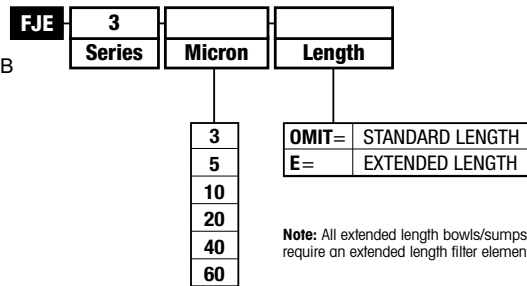
**Example:**

**FJV-3-X-A02-N-E-V**

This would be the part number for a standard Series 3 T-type Filter Assembly with a 304 stainless steel housing with no bypass, a 1/2" NPT port, no gauge port, extended bowl and Viton® seal.

\* Other port sizes and material available, consult factory.  
Viton, Teflon and Kalrez are registered trademarks of E.I. du Pont de Nemours and Company or its affiliates.  
Hastelloy is a registered trademark of Haynes International, Inc.

# Ordering Information for High Pressure Filter Elements



**Example:**

**FJE-3-10E**

This would be the part number for a Metal Felt Filter Element made with 316L stainless steel filament with 10 micron media to fit a Series 3 T-type Housing with an extended length bowl.



Made in USA

[www.swift-jbinternational.com](http://www.swift-jbinternational.com)

[www.swifffilters.com](http://www.swifffilters.com)

4560 Kendrick Plaza Dr., Suite 140  
Houston, TX 77032

**Tel** 281.227.0298

**Fax** 281.227.0299

**Email** [info@swift-jbinternational.com](mailto:info@swift-jbinternational.com)

24040 Forbes Road, Oakwood Village, OH 44146

**Tel** 440.735.0995 **Fax** 440.735.0996

**Email** [info@swifffilters.com](mailto:info@swifffilters.com)

**Toll Free 1.877.88SWIFT**  
(1.877.887.9438)